

RESEARCH MICROSCOPE

# BX52

BX2 SERIES

*Designed and built for leading research applications*

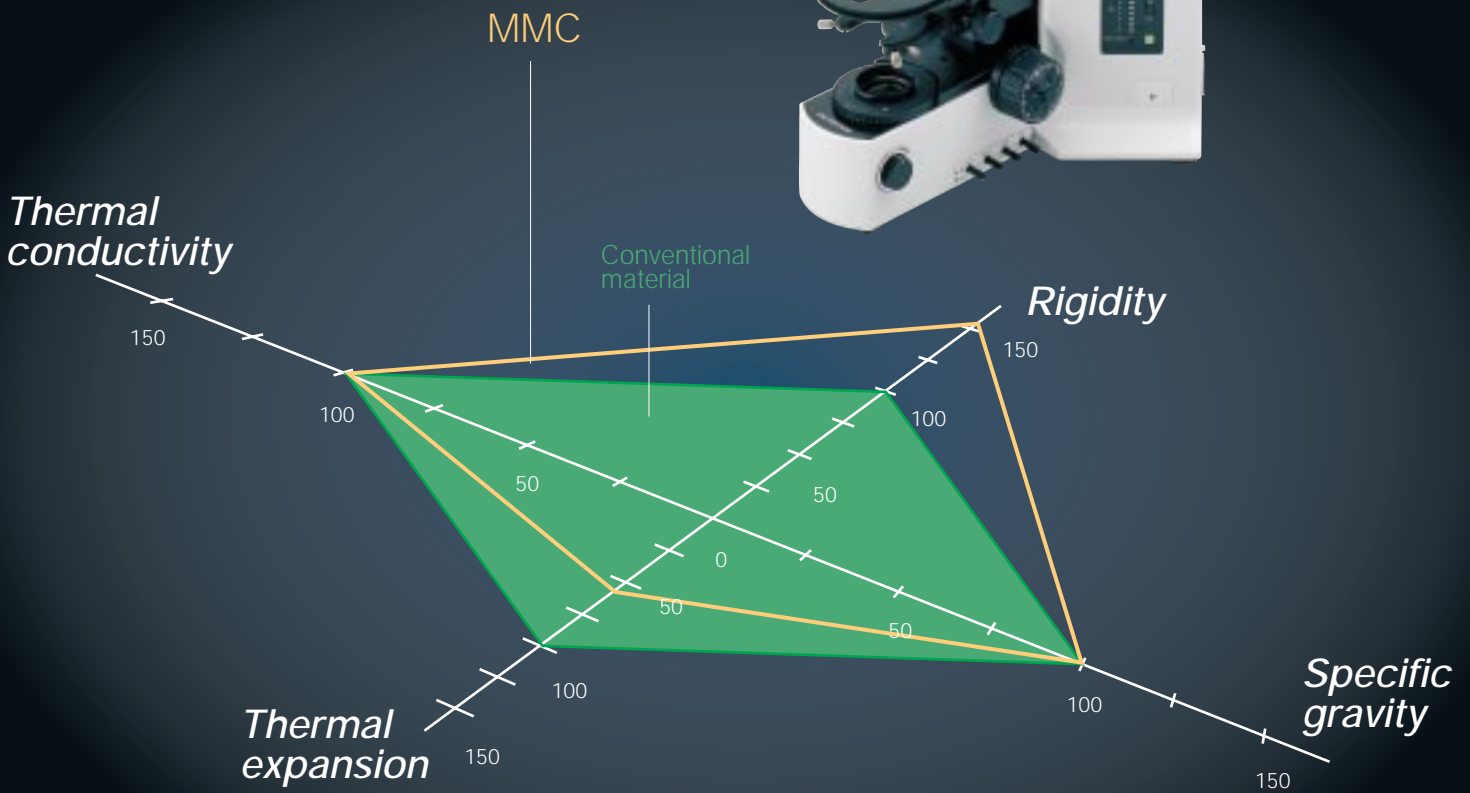
## Rock-solid stability and rigidity and superior fluorescence technology

- *Genetic applications*
- *3D-analysis*
- *Time lapse recording*





The MMC (Metal Matrix Composites) is a composite material of ceramic and aluminum. It can drastically improve the static rigidity and the thermal rigidity that are indispensable for a microscope to conquer the research market.



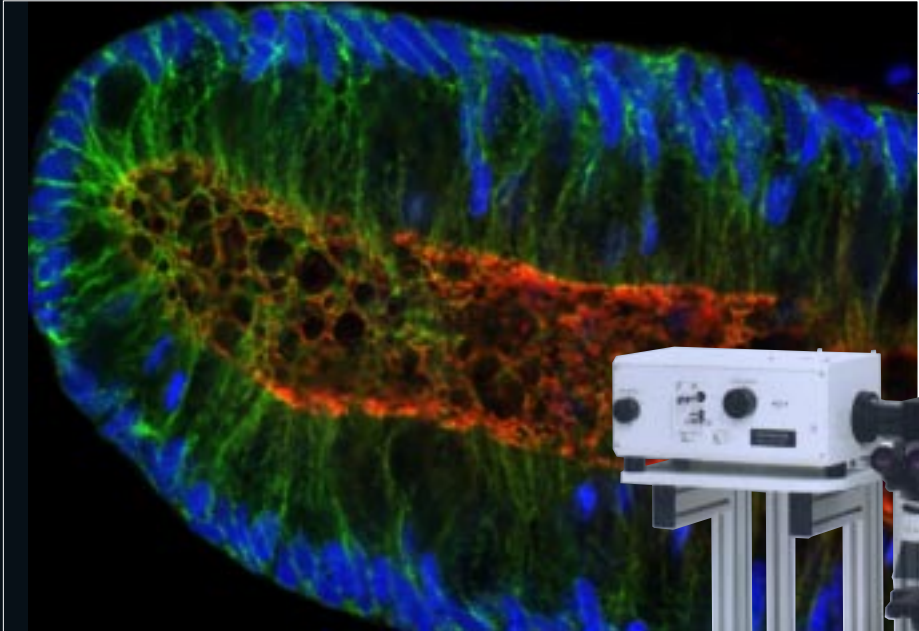
### **New design and materials for best rigidity and stability**

Excellent rigidity and low heat conduction are key features of the BX52 frame, which is built in three parts — arm, support section and base. The support section and reflected light illuminator are made from MMC, a new material that combines ceramic and aluminum to achieve 60% more rigidity and 35% less thermal expansion than conventional microscopes. Rock-solid in performance, the BX52 meets all the criteria for advanced laser microscopy and 3D image analysis as well as for time lapse experiments and other observations conducted over long periods of time.

### **New steps forward in fluorescence performance**

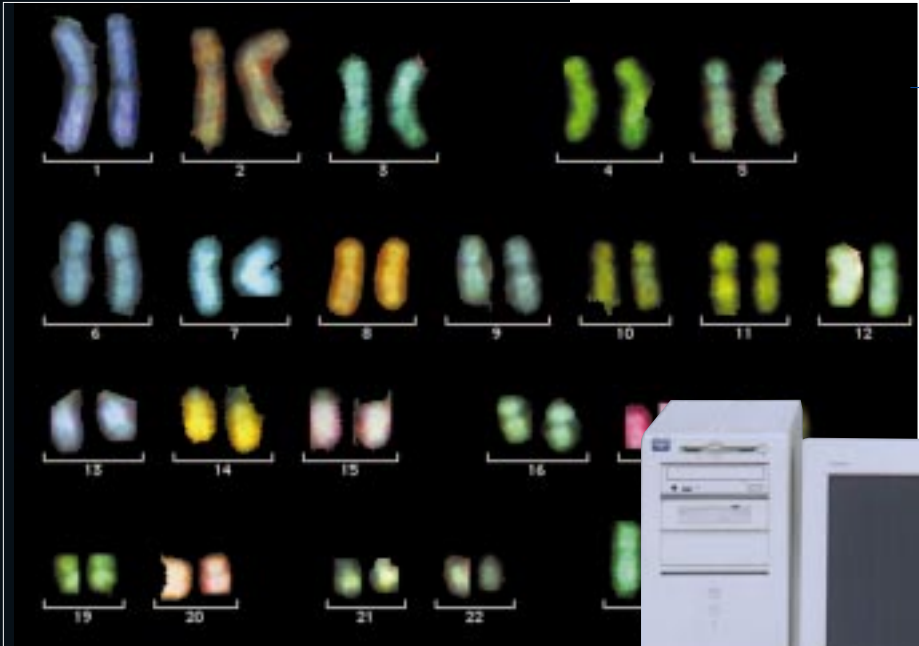
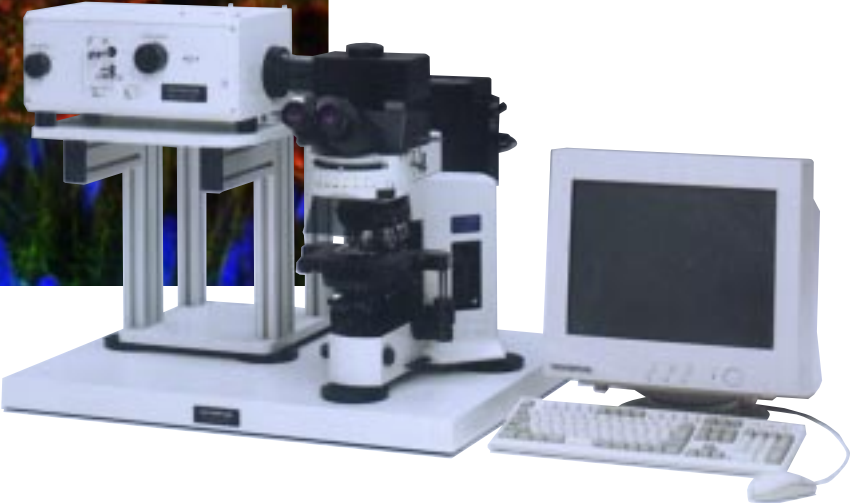
Already renowned in the field, Olympus has now taken fluorescence performance even further ahead, using a newly-developed aspheric lens in the lamp housing to improve light collection and achromatic performance right up near to infrared conditions. The lens covers a wide wave range and secures fluorescence images almost twice as bright as conventional ones even under very low magnifications.

*In addition the BX52 has all advantages of the BX51. Please study also the BX51 catalogue.*



# LSM

*Laser Scanning Microscope System*



# C-CCD

*Cooled-CCD Imaging System*

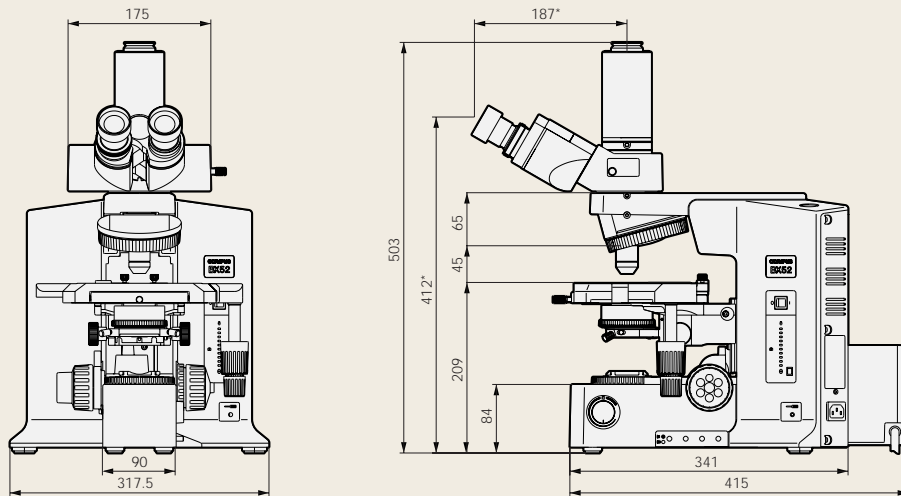


## BX52 specifications

Microscope frame	Optical system	UIS optical system
	Focus	Vertical stage movement: 25mm stage stroke with coarse adjustment limit stopper Torque adjustment for coarse adjustment knobs Stage mounting position variable High sensitivity fine focusing knob (minimum adjustment gradations: 1μm)
	Illuminator	Built-in Koehler illumination for transmitted light 12V100W halogen bulb Light preset switch Light intensity LED indicator Built-in filters (LBD-IF, ND6, ND25 optional)
Revolving nosepiece		Interchangeable reversed quintuple/sextuple/septuple nosepiece
Observation tube	Widefield (F.N. 22)	<ul style="list-style-type: none"> <li>•Widefield binocular, inclined 30°</li> <li>•Widefield tilting binocular, inclined 5°-35°</li> <li>•Widefield trinocular, inclined 30°</li> <li>•Widefield ergo binocular, inclined 0°-25°</li> </ul>
	Super widefield (F.N. 26.5)	Super widefield trinocular, inclined 24°
Stage		Ceramic-coated coaxial stage with left or right hand low drive control: with rotating mechanism and torque adjustment mechanism, optional rubber grips available (Non stick grooved coaxial, plain, rotatable stages are also available)
Condenser		<ul style="list-style-type: none"> <li>•Abbe (N.A. 1.1), for 4x—100x</li> <li>•Swing out Achromatic (N.A. 0.9), for 1.25x—100x (swing-out: 1.25x—4x)</li> <li>•Achromatic Aplanatic (N.A. 1.4), for 10x—100x</li> <li>•Universal (N.A. 1.4/0.9), for 2x—100x (swing-out: 2x—4x, with oil top lens: 20x—100x)</li> </ul>

## BX52 dimensions

(unit: mm)



The length marked with an asterisk (\*) may vary according to interpupillary distance. Distance for figure shown is 62mm.